



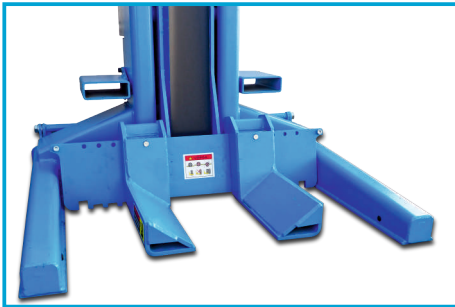
YouTube

PK8500W

Scan and see more!

CAPACITY:	8500 kg
POWER SUPPLY:	DC 24V
MOTOR POWER:	2,2 kW
LIFTING HEIGHT:	1700 mm
TOTAL HEIGHT:	3730 mm
OIL PRESSURE:	26 MPa
NOISE LEVEL:	<70 dB
WEIGHT:	810 kg

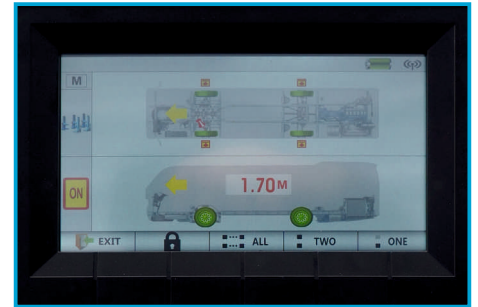
- Set of 4 columns **connected wirelessly** ♦ lifting capacity 8500 kg
- ♦ automatic operation from the control box ♦ electronic synchronization
- ♦ **adjustable fork spacing 252 - 540 mm** ♦ height lifting 0 - 1700 mm
- ♦ **battery power 650A 12V** ♦ **colored touch LCD display**



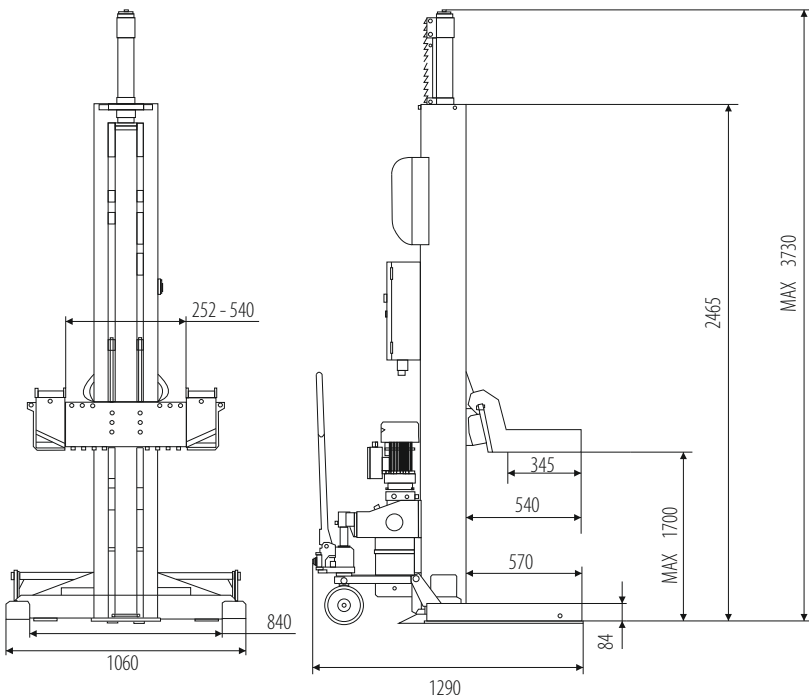
ADJUSTABLE FORK SPACING



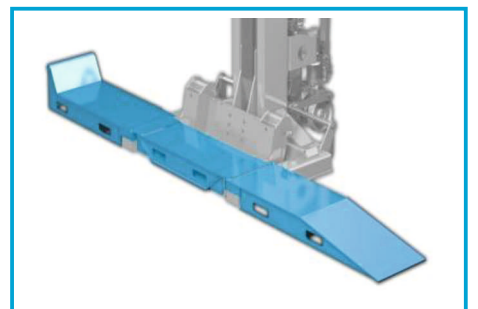
CONTROL PANEL



TOUCHSCREEN LCD



OPTIONAL TRIPOD STAND 8500 KG



OPTIONAL FORKLIFT KIT