



YouTube

PJ2500M

Scan and see more!



CAPACITY:	2500 kg
POWER SUPPLY:	400V/50Hz
MOTOR POWER:	1,5 kW
LIFTING HEIGHT:	115-1870 mm
TOTAL HEIGHT:	2602 mm
IP CLASS:	54
OIL PRESSURE:	18 MPa
NOISE LEVEL:	<75 dB
WEIGHT:	900 kg
SIZE OF THE PACKAGE 1:	260x50x50 cm
SIZE OF THE PACKAGE 2:	190x125x100 cm

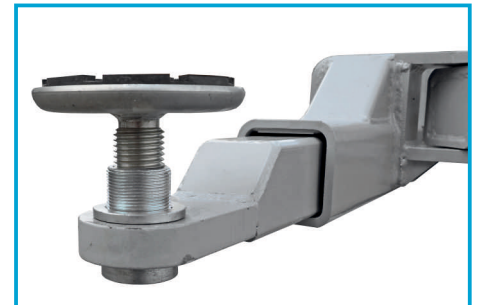
Mobile electrohydraulic lift • electro-mechanical height lock electrically released • automatic arm lock during lifting • height adapters with smooth support adjustment • possibility work outside • safety devices in compliance with the norm EN1493:2010



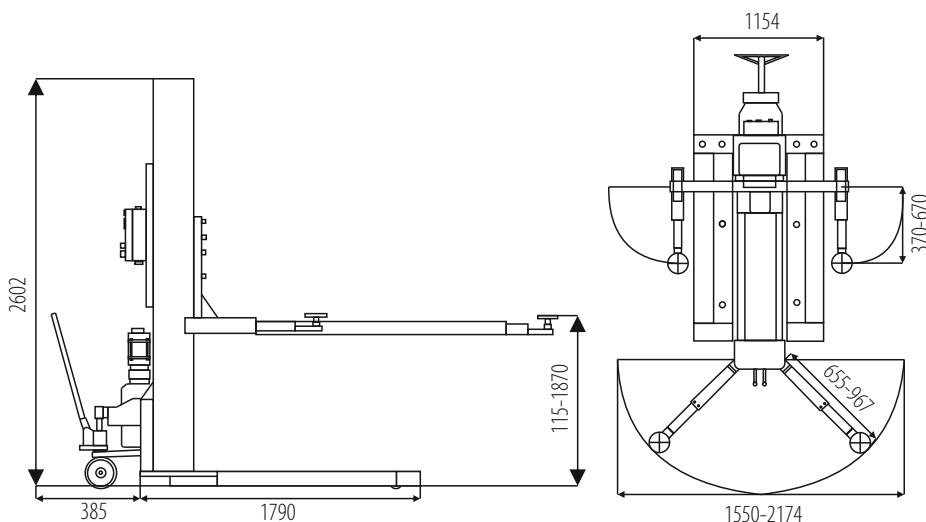
CONTROL PANEL



SET OF DOOR PROTECTION



ADAPTERS WITH DOUBLE ADJUSTABLE THREAD



ADDITIONAL HEIGHT ADAPTERS