



Scan and see more!



PO640 TITAN

CAPACITY:	6400 kg
POWER SUPPLY:	400V/50Hz
MOTOR POWER:	2,2 kW
TOTAL HEIGHT:	2362 mm
LIFTING HEIGHT:	1850 mm
CLEARANCE:	2880 mm
PLATFORMS:	512x5800 mm
NOISE LEVEL:	<70 dB (A)
WEIGHT:	1590 kg

STANDARD EQUIPMENT



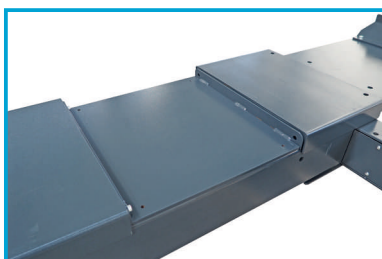
PLATES EXPANSION VALVE

OPTIONAL EQUIPMENT



AXLE JACK 3,2T WITH PNEUMATIC HUDRAULIC PUMP

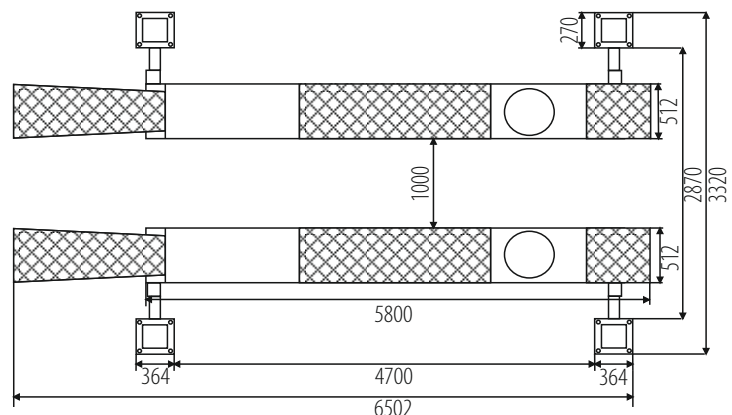
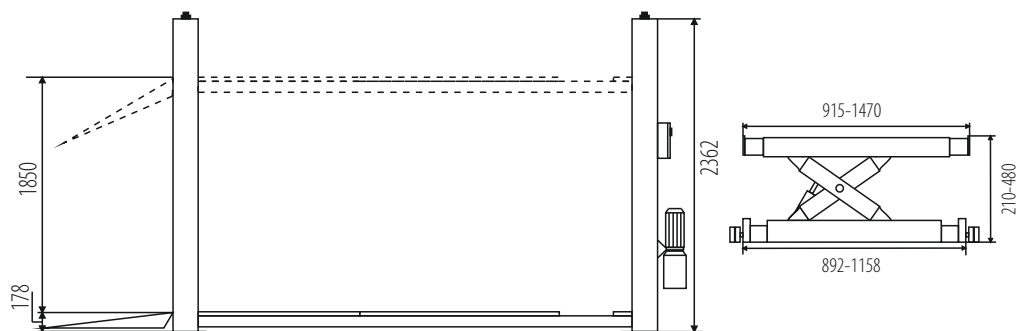
Mechanical synchronization with steel ropes
 • **Automatic mechanical release lock pneumatically**
 • Lifter adapted to **be handled geometry, has recesses for turntables and plates expansion valve**
 • Overload valve • **Controllable lift safe voltage of 24V**
 • Approved product i certified in accordance with European standards Directive EN1493: 2010



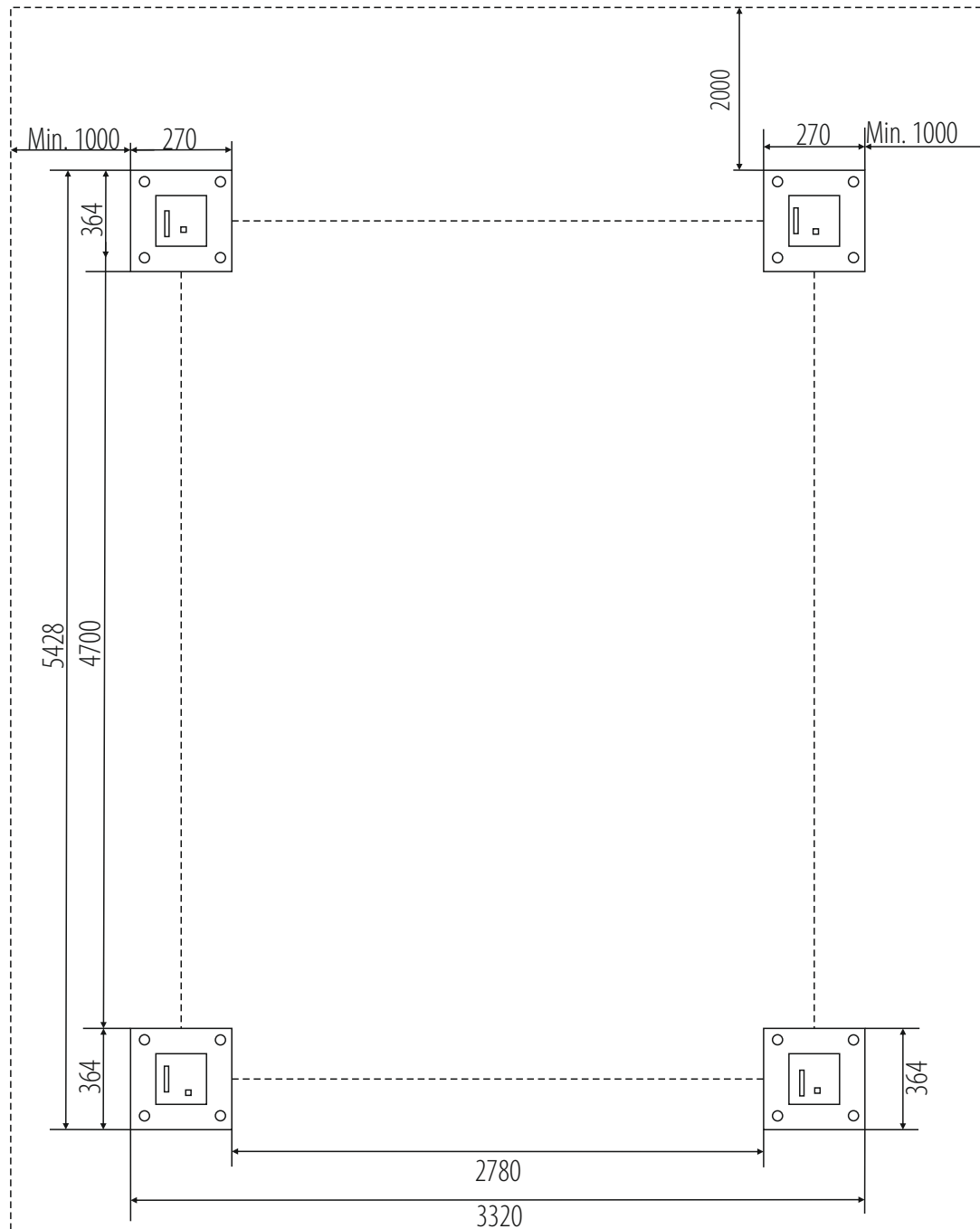
RECESSES FOR TURNTABLES



PLATFORM EXTENSION



P0640 TITAN



INSTALLATION REQUIREMENTS:



Concrete class: B25 or C20 / 25 with a minimum mounting area: 5992x4068x300 mm ♦ Acceptable floor imbalance: +/- 5mm, floor execution: 3 weeks before assembly ♦ Mounting anchors: mechanical M12 / 150 mm 16 pieces or chemical M16 / 250mm ♦ Hydraulic oil: HL22, 18.0l ♦ Power supply: 5x2.5mm cable to the place of assembly ♦ Current protection: min. 32A with 3-phase 400V / 50Hz power supply.

Installation allowed only in closed areas ♦ prohibition of using reinforcement 20 cm from the top thicker than 4mm² ♦ assembly for chemical anchors for an additional fee (submit in advance, preferably when setting the date of assembly) ♦ All connections, with particular reference to electrical connections, they must be made by authorized persons ♦ The installation must remain carried out by qualified personnel according to the rules attached in this building plan ♦ In the case of assembly by Nortec or its authorized service center, the lift must be on solid ground.