



Scan and see more!



PO640 TITAN

| | |
|-----------------|-------------|
| CAPACITY: | 6400 kg |
| POWER SUPPLY: | 400V/50Hz |
| MOTOR POWER: | 2,2 kW |
| TOTAL HEIGHT: | 2362 mm |
| LIFTING HEIGHT: | 1900 mm |
| CLEARANCE: | 2880 mm |
| PLATFORMS: | 512x5800 mm |
| NOISE LEVEL: | <70 dB (A) |
| WEIGHT: | 1590 kg |

STANDARD EQUIPMENT



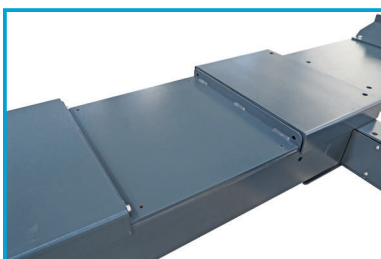
PLATES EXPANSION VALVE

OPTIONAL EQUIPMENT



AXLE JACK 3,2T WITH PNEUMATIC HUDRAULIC PUMP

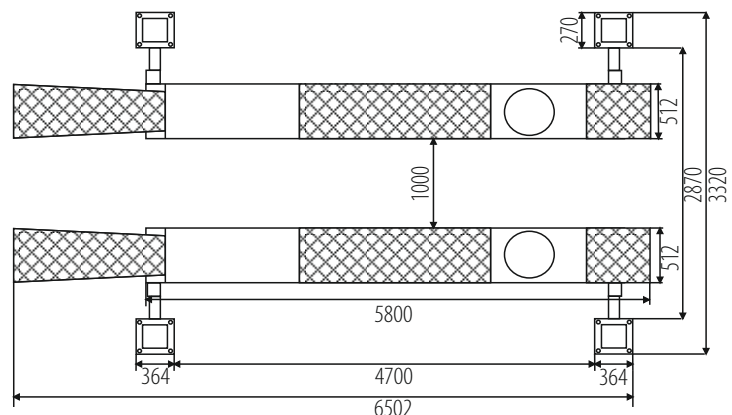
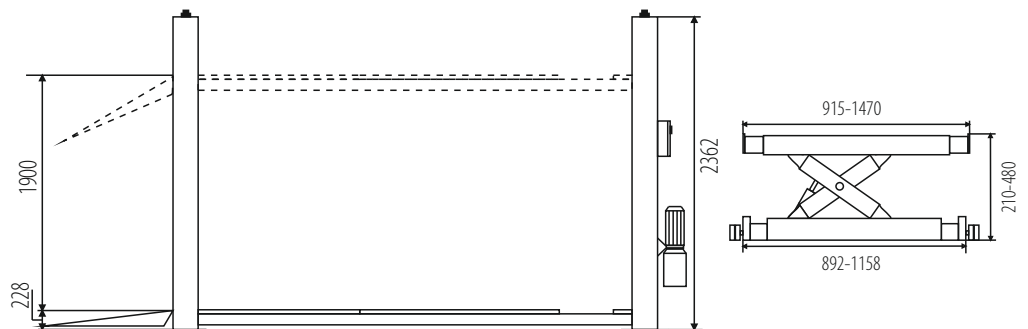
Mechanical synchronization with steel ropes
 • **Automatic mechanical release lock pneumatically**
 • Lifter adapted to **be handled geometry, has recesses for turntables and plates expansion valve**
 • Overload valve • **Controllable lift safe voltage of 24V**
 • Approved product i certified in accordance with European standards Directive EN1493: 2010



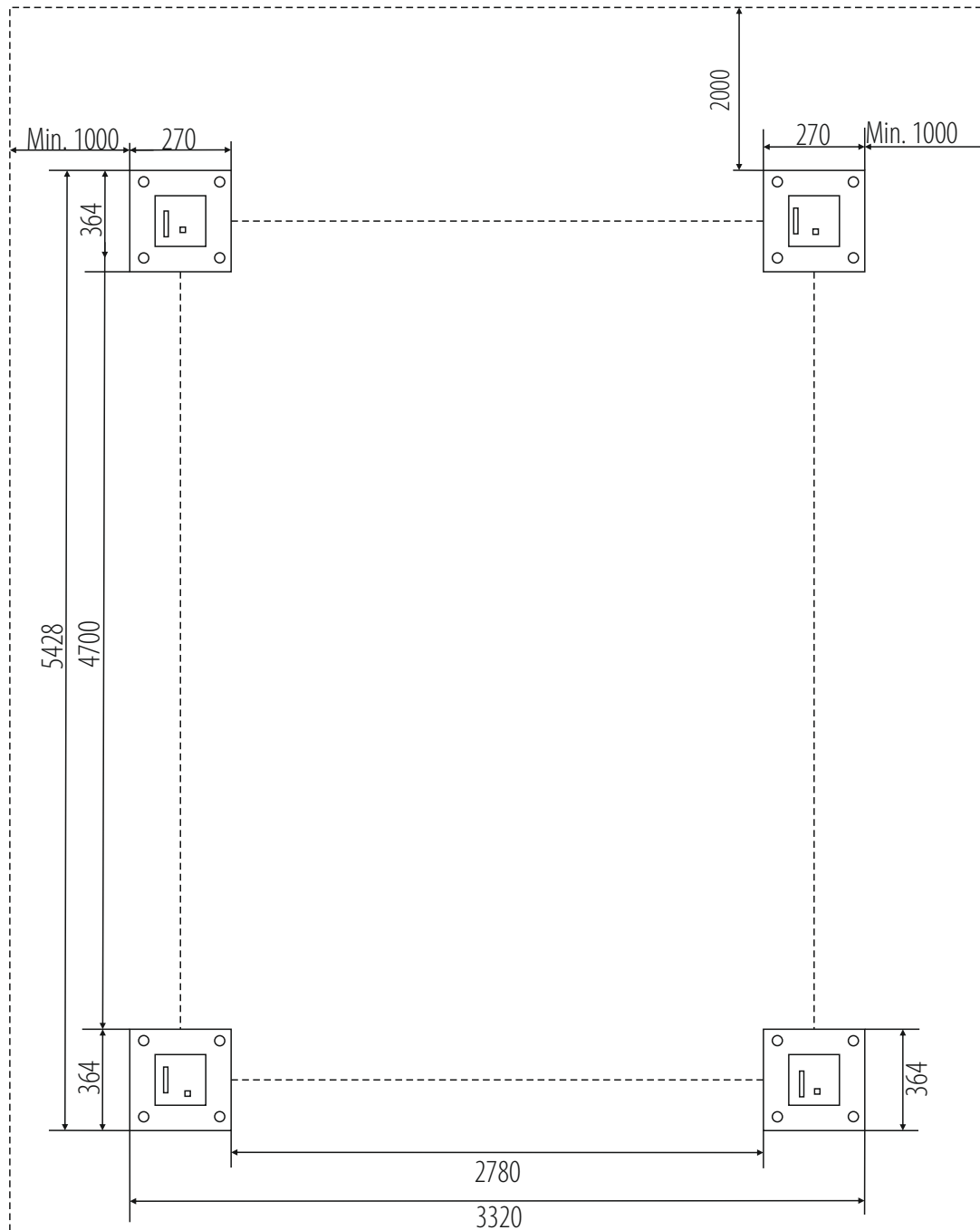
RECESSES FOR TURNTABLES



PLATFORM EXTENSION



P0640 TITAN



INSTALLATION REQUIREMENTS:



Concrete class: B25 or C20 / 25 with a minimum mounting area: 5992x4068x300 mm ♦ Acceptable floor imbalance: +/- 5mm, floor execution: 3 weeks before assembly ♦ Mounting anchors: mechanical M12 / 150 mm 16 pieces or chemical M16 / 250mm ♦ Hydraulic oil: HL22, 18.0l ♦ Power supply: 5x2.5mm cable to the place of assembly ♦ Current protection: min. 32A with 3-phase 400V / 50Hz power supply.

Installation allowed only in closed areas ♦ prohibition of using reinforcement 20 cm from the top thicker than 4mm² ♦ assembly for chemical anchors for an additional fee (submit in advance, preferably when setting the date of assembly) ♦ All connections, with particular reference to electrical connections, they must be made by authorized persons ♦ The installation must remain carried out by qualified personnel according to the rules attached in this building plan ♦ In the case of assembly by Nortec or its authorized service center, the lift must be on solid ground.