

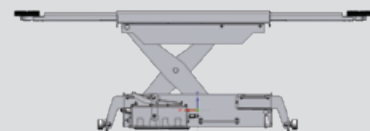
SPECIFICATION

Mercedes-Benz



Electro-hydraulic 4 post lift
Capacity 4 T

RAV4406 MB



J30PMB
Includes:

S305A4



S370A19



S224A3
H=140 MM



S224A4
H=80 MM



Description

RAV4406 MB

Electro-hydraulic 4 post lift, capacity 4 T

Supplied with the lift:

Alignment runways

Rear built-in sliding tables front spacers for turn tables

Long run-up ramps

J30PMB - 3t Jacking Beam with MB specific adapters
(spiral cable included)

MKS - system to check lift planarity.

The MKS kit allows to place the four targets and check the perfect lift planarity. Targets, cameras and turn tables are part of the wheel aligner and not included with the lift.

Lighting Kit - four led

Energy Kit:

- 2 compressed air quick connections

- 1 electric plug Schuko 220V single phase

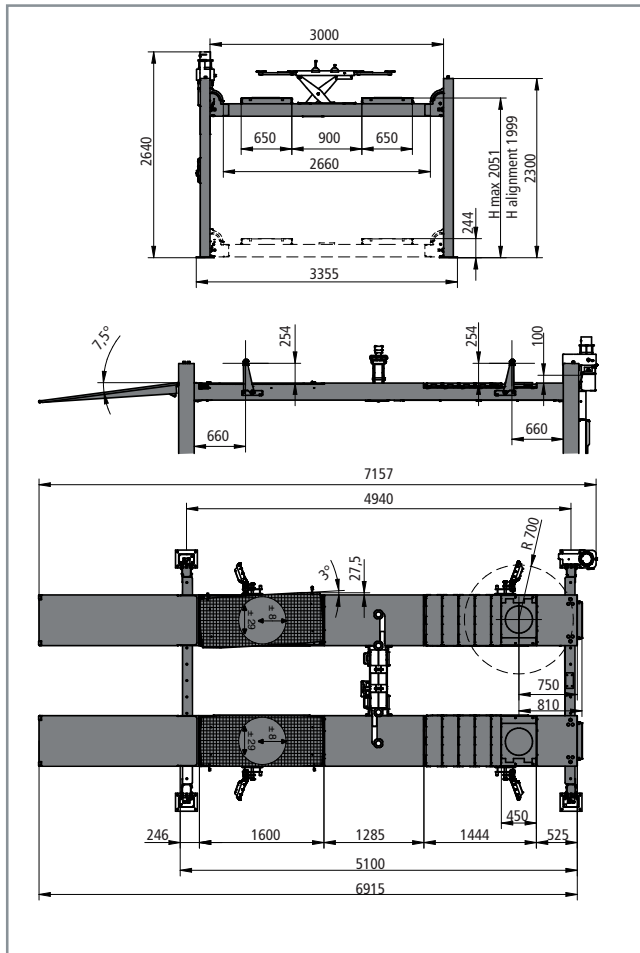
SPECIFICATION

Mercedes-Benz



Electro-hydraulic 4 post lift
Capacity 4 T

RAV4406 MB

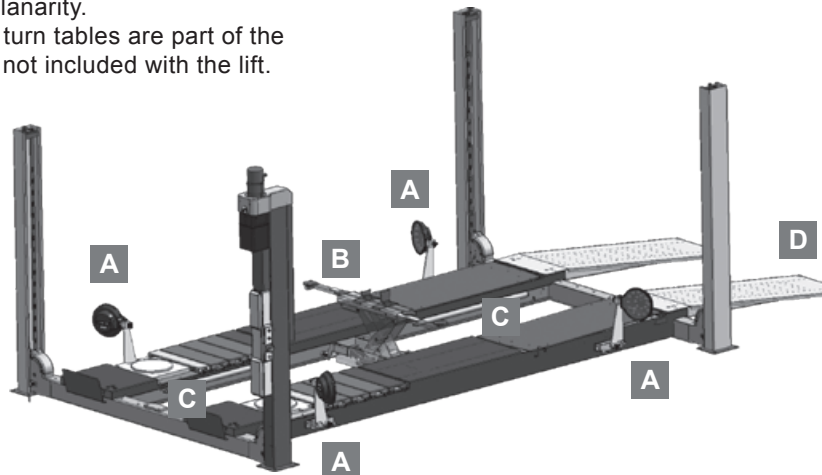


Alignment runways

Rear built-in sliding tables front spacers for turn tables

A	MKS system to check lift planarity.
B	J30PMB - 3t jacking beam with MB specific adapters (spiral cable included)
C	Lighting kit - four led
D	Long runuo ramps

The MKS kit allows to place the four targets and check the perfect lift planarity. Targets, cameras and turn tables are part of the wheel aligner and are not included with the lift.



Ravaglioli S.p.A.

via 1° maggio 3 - Fraz. Pontecchio M. - 40037 Sasso Marconi (Bo) - Italia

Tel. +39 - 051-6781511 - Fax +39 - 051-846349 - rav@ravaglioli.com - www.ravaglioli.com